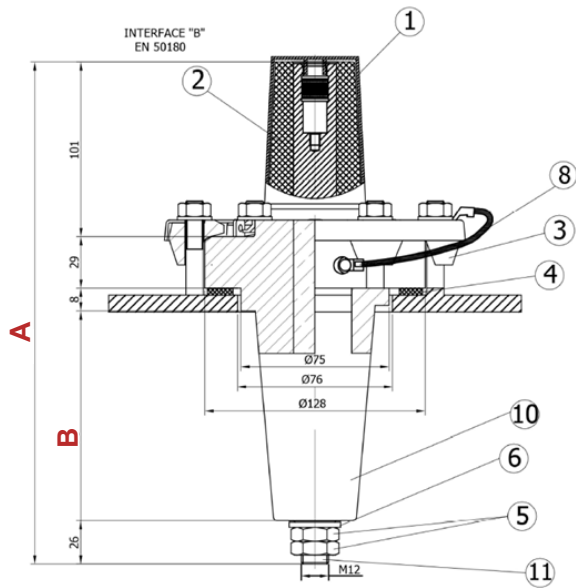
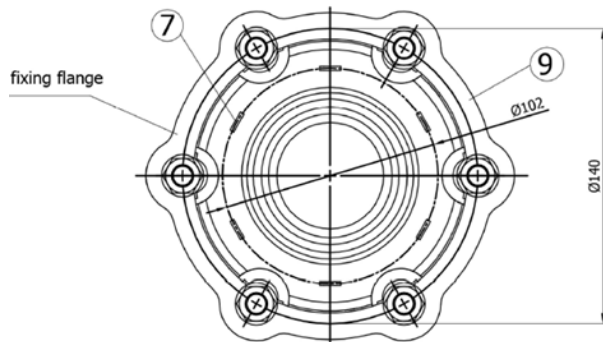


Plug-In Bushing Up to 36 Kv – 400A



#	NAME	QTY	MATERIAL
1	PROTECTIVE COVER	1	PA6
2	CONNECTION INTERFACE	B	
3	ALU-CLAMPING E DIN 42538	6	ALUMINIUM
4	GASKET	1	NBR
5	CONNECTION NUT	2	BRASS Ms58
6	M12 WASHER	1	BRASS Ms58
7	FIXING SHOE	6	STAINLESS STEEL
8	EARTH JUMPER	1	NY Y
9	FIXING FLANGE A DIN 42538	1	STEEL ZINC PLATE
10	MAIN BODY	1	EPOXY RESIN
11	CONNECTION BOLT	1	E.Cu F25



Product Code	Voltage Ur (kV)	Current Ir (A)	Dimensions (mm)		Interface
			A	B	
LE-PB 36/400-240	36	400	240	76	Interface B
LE-PB 36/400-310	36	400	310	146	Interface B



STANDARTS

The plug-in type bushings in accordance with IEC TS EN 50180, IEC TS EN 50181 and IEC 60137.

DESIGN

The bushings are moulded epoxy insulated parts in accordance with IEC EN 50180, The standard bushings are equipped with 6 tabs for the bail restraint.

TESTING

Each bushing is tested for AC withstand, Parital Discharge and Air Leakage test prior to leaving the factor

INSTALLATION

Suggested Bolt Torque

M10: 3-5 Nm

M16: 8-10 Nm

Earth Cable: 3-5 Nm

Alu Clamping: 10-15 Nm