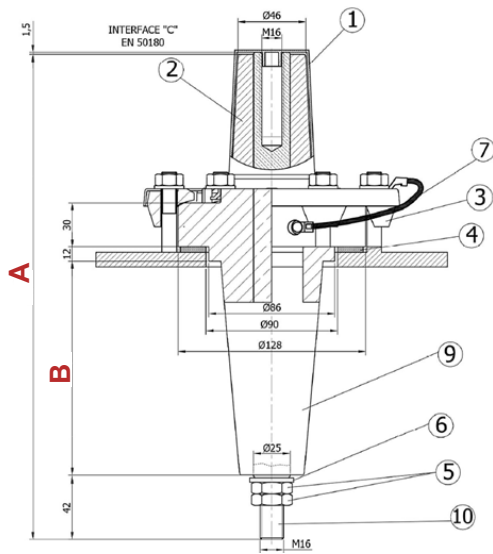
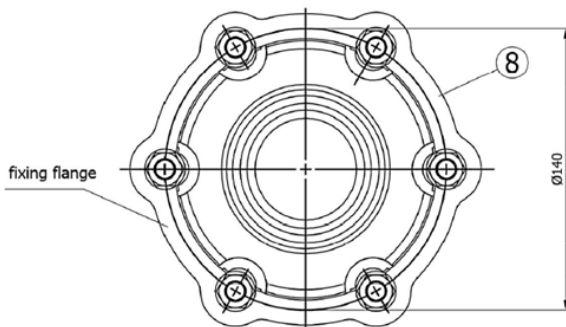


# Plug-In Bushing Up to 36 Kv – 630A



#	NAME	QTY	MATERIAL
1	PROTECTIVE COVER	1	PA6
2	CONNECTION INTERFACE	C	
3	ALU-CLAMPING E DIN 42538	6	ALUMINIUM
4	GASKET	1	NBR
5	HALF NUT M16	2	BRASS Ms58
6	M16 WASHER	1	BRASS Ms58
7	EARTH JUMPER	1	NYG
8	FIXING FLANGE A DIN 42538	1	STEEL ZINC PLATE
9	MAIN BODY	1	EPOXY RESIN
10	CONNECTION BOLT	1	E.Cu F25



Product Code	Voltage Ur (kV)	Current Ir (A)	Dimensions (mm)		Interface
			A	B	
LE-PB 36/630-333	36	630	333	146	Interface C



## STANDARDS

The plug-in type bushings in accordance with IEC TS EN 50180, IEC TS EN 50181 and IEC 60137.

## DESIGN

The bushings are moulded epoxy insulated parts in accordance with IEC EN 50180, The standard bushings are equipped with 6 tabs for the bail restraint.

## TESTING

Each bushing is tested for AC withstand, Parital Discharge and Air Leakage test prior to leaving the factor

## INSTALLATION

Suggested Bolt Torque

M10: 3-5 Nm

M16: 8-10 Nm

Earth Cable: 3-5 Nm

Alu Clamping: 10-15 Nm